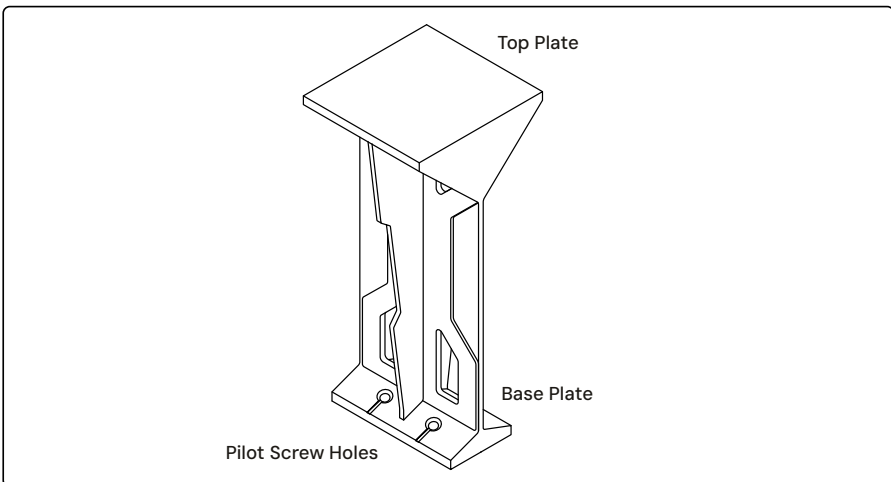
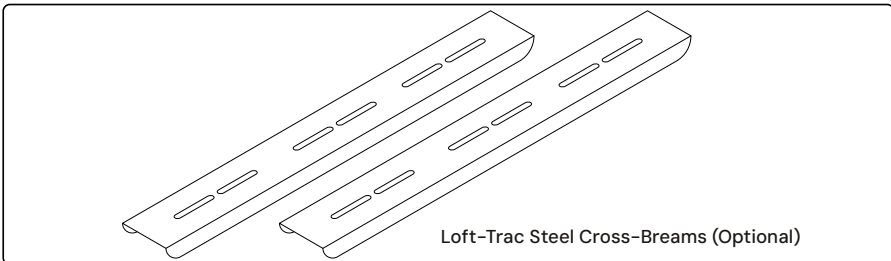
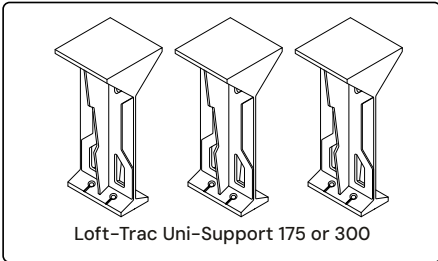
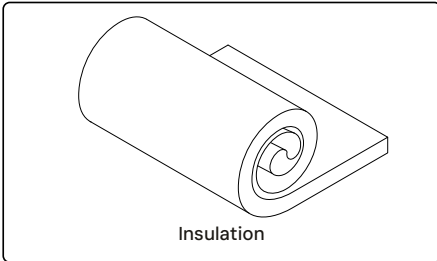
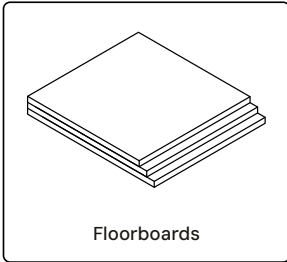
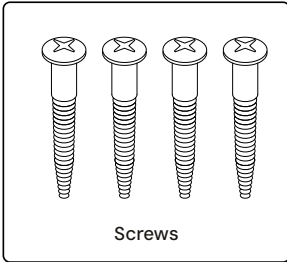
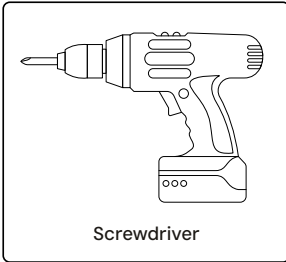


Uni-Support 175 & 300

Installation Guide

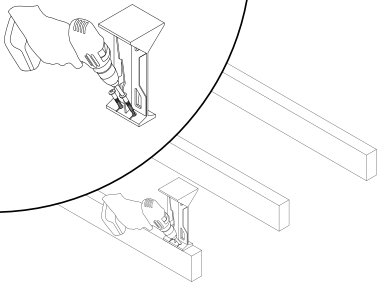


Before you begin you'll need



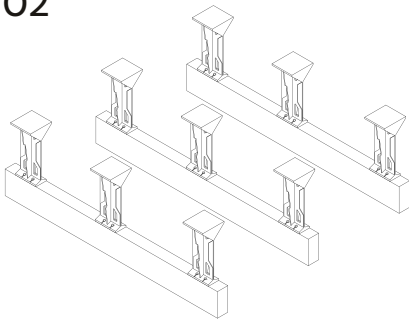
Installation Walkthrough

01



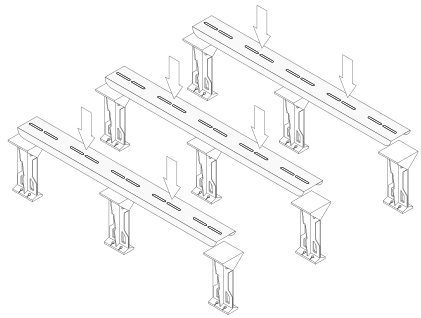
Prepare screws in the pilot holes, then screw uni-support baseplate to joists.

02

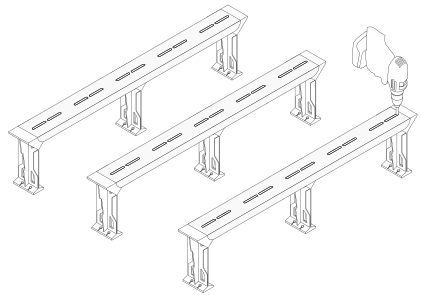


Complete laying uni-supports, spaced out board-width and evenly on joists.

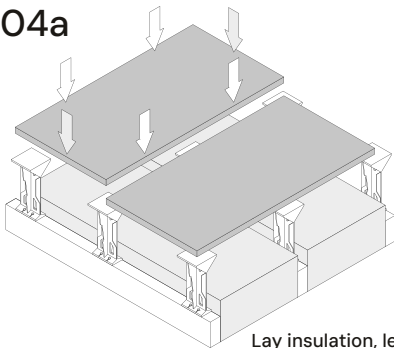
03 (optional)



Attach the steel cross-beams to the uni-support top plates for added support.

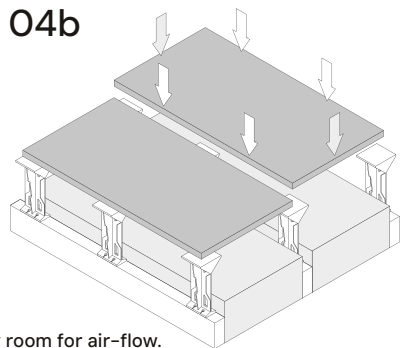


04a



Lay insulation, leaving room for air-flow. Place floorboards and secure in place with screws into the uni-support top plates.

04b





Loft-Trac Limited
Suite K, Priest House, 1624 High Street,
Knowle, United Kingdom, B93 0JU
Registered in the UK 15472828

lofttrac.co.uk